

Basic

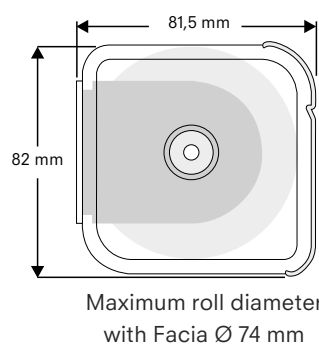
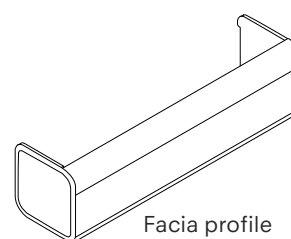
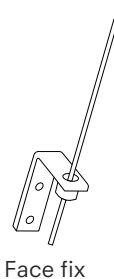
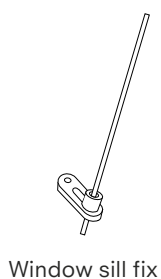
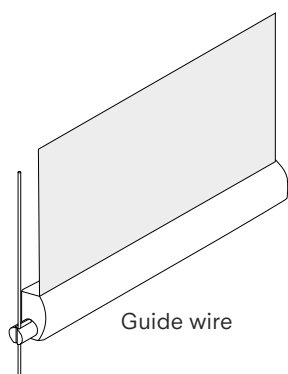
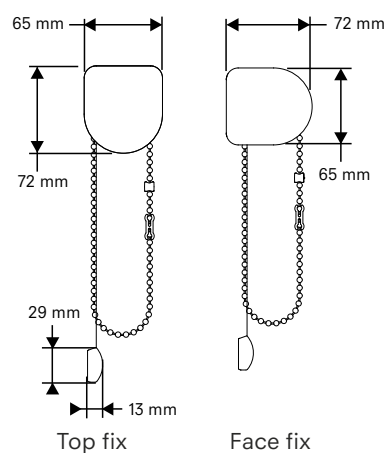
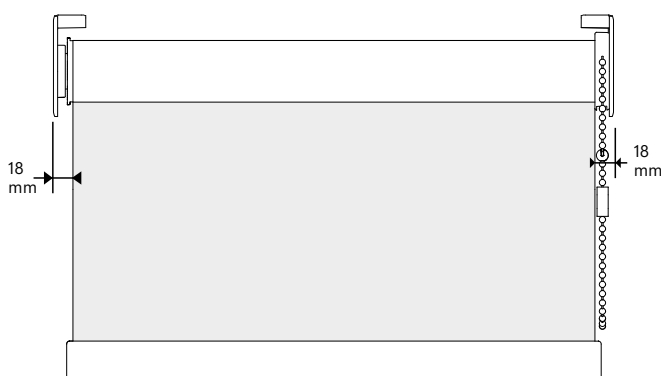
Roller blind QS80

Product information

A simple exposed roller blind, perfect for situations where cassettes are not required, this entry level blind still benefits from the high quality, low-noise chain control system, offering superb user comfort.

Please refer to www.kvadratverosol.nl for the full range of roller blind types and shapes.

System drawings



kvadrat verosol

Technical information

Product code		QS80.0
Product name		Standard roller blind
Operation		Chain operation
Tube	Material	Extruded aluminium Ø 44 mm, 49 mm, 57 mm
	Width	400 mm min - 2800 mm max (depending on tube and fabric)
Dimensions	Drop*	300 mm min - 4000 mm max (depending on tube and fabric)
	Maximum area	8 m ²
Bottom rail	Material	Extruded aluminium alloy- asymmetric profile
	Dimensions	13 mm W x 29 mm H
	Colours	Powder coated RAL 9001, 9005, 9010, 9016 or clear anodised
End caps	Material	UV stabilised PA
	Colours	Grey, White, Black, coordinated to rail colour
Bead chain	Material	Nickel plated brass or stainless steel
Installation brackets	Material	Press formed steel, pre-treated and powder coated
	Application	Top or face fixing

Optional

Product code		QS80.4	QS80.5
Product name		Standard roller blind	Standard roller blind
Operation		24V DC or 230v AC motor	12V DC battery motor
Dimensions	Width	600 mm min - 2800 mm max	700 mm min - 2600 mm max
	Drop*	300 mm min - 5000 mm max	300 mm min - 4000 mm max
	Maximum area	11 m ²	11 m ²
Guide wire	Cable	Steel	
	Bracket	Nickel plated steel	
Fascia options	Type	QS8 fascia	
	Material	Extruded aluminium alloy	
	Dimensions	84 mm x 82 mm	Suitable for face fixing
	Maximum width	4800 mm maximum	
	Colours	RAL 9010, 9016 and clear anodised	

* Maximum drop depending on fabric thickness. Please refer to www.kvadratverosol.nl for more information.

Disclaimer: Subject to misprints, errors and technical modifications.
Please contact projecten@verosol.nl to check or for questions regarding other measurements.