

Easy install mounting profile

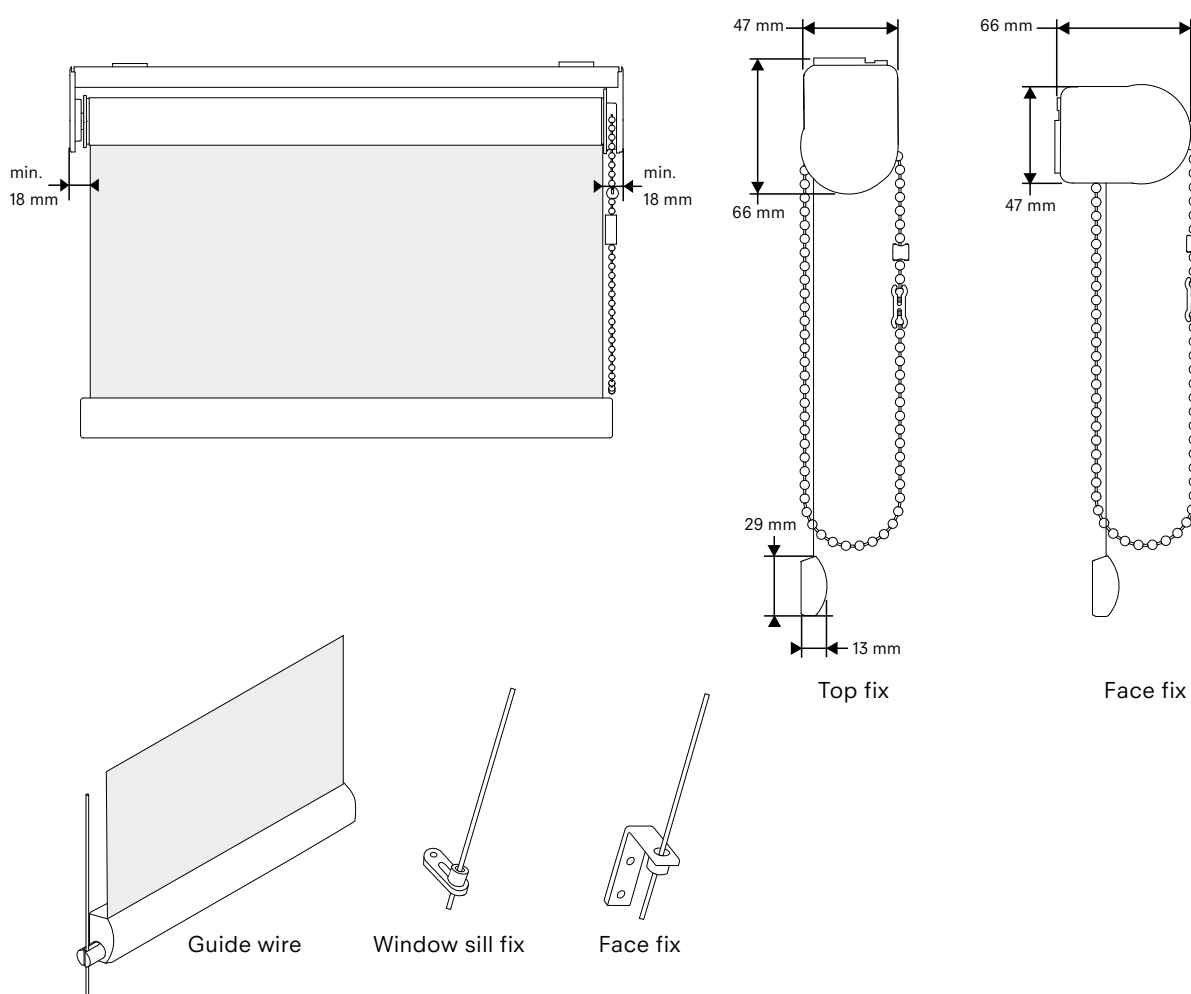
Roller blind QS61

Product information

This model has all the silent and smooth operation features, and is very easy to install due to the mounting profile with easy spring loaded clips.

Please refer to www.kvadratverosol.nl for the full range of roller blind types and shapes.

System drawings



Technical information

Product code		QS61.0
Product name		Standard roller blind with mounting profile
Operation		Chain operation
Tube	Material	Extruded aluminium Ø 34 mm
	Width	400 mm min - 1800 mm max
Dimensions	Drop*	300 mm min - 2800 mm max
	Maximum area	5.0 m ²
	Material	Extruded aluminium alloy - symmetric profile
Mounting profile	Dimensions	44 mm W x 14 mm H
	Colours	Powder coated RAL 9001, 9005, 9010, 9016, or aluminium anodised
	Material	Extruded aluminium alloy - asymmetric profile
Bottom rail	Dimensions	13 mm W x 29 mm H
	Colours	Powder coated RAL 9001, 9005, 9010, 9016, or aluminium anodised
	Material	UV stabilised ABS
End caps	Colours	Grey, White, Black, coordinated to rail colour
Bead chain	Material	Nickel plated brass or stainless steel
	Material	Press formed steel, pre-treated and powder coated
Installation brackets	Application	Top or face fixing - concealed when installed

Motorisation

Product code		QS61.4	QS61.5
Product name		Standard roller blind	Standard roller blind
Operation		24V DC motor	12V DC battery motor
	Width	470 mm min - 1800 mm max	700 mm min - 1800 mm max
Dimensions	Drop*	300 mm min - 2800 mm max	300 mm min - 2800 mm max
	Maximum area	5.0 m ²	5.0 m ²

Optional

	Cable	Steel
Guiding Wire	Bracket	Nickel plated steel

* Maximum drop depending on fabric thickness. Please refer to www.kvadratverosol.nl for more information.

Disclaimer: Subject to misprints, errors and technical modifications.
Please contact projecten@verosol.nl to check or for questions regarding other measurements.